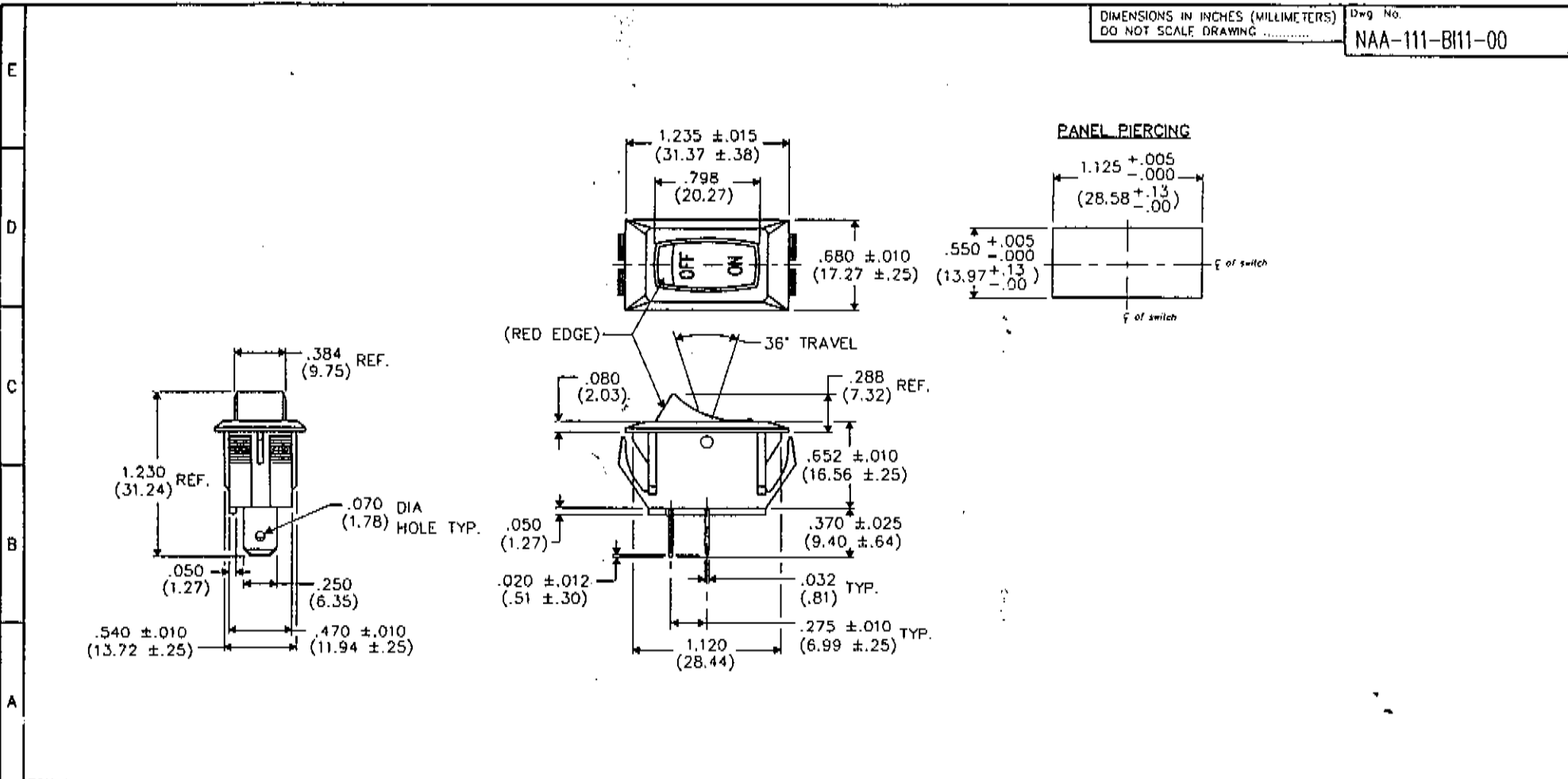


DIMENSIONS IN INCHES (MILLIMETERS)  
DO NOT SCALE DRAWING

Dwg No.  
NAA-111-B111-00



1	2	3	4	5	6	7	8	9	10
---	---	---	---	---	---	---	---	---	----

FORM-8 REVISIONS 0 RELEASED DCW 6-28-2001 JUL 3 2001	<b>CW INDUSTRIES</b> Southampton, Pa. 18966						Title: INDICON UNIBODY SWITCH ASSEMBLY 1.125" x .550" PANEL	
	TOLERANCES UNLESS OTHERWISE SPECIFIED:						Division: SWITCH	
	2 Place Decimal ±.010			METRIC			Dwg No.	
	3 Place Decimal ±.005			1 Place Dec. ±.25mm			NAA-111-B111-00	
Made for: CW IND.						Checked by: G. Guld 7-3-01		
Drawn by: DGW 6-28-2001						Approval: <i>[Signature]</i> 7-3-01		

30438